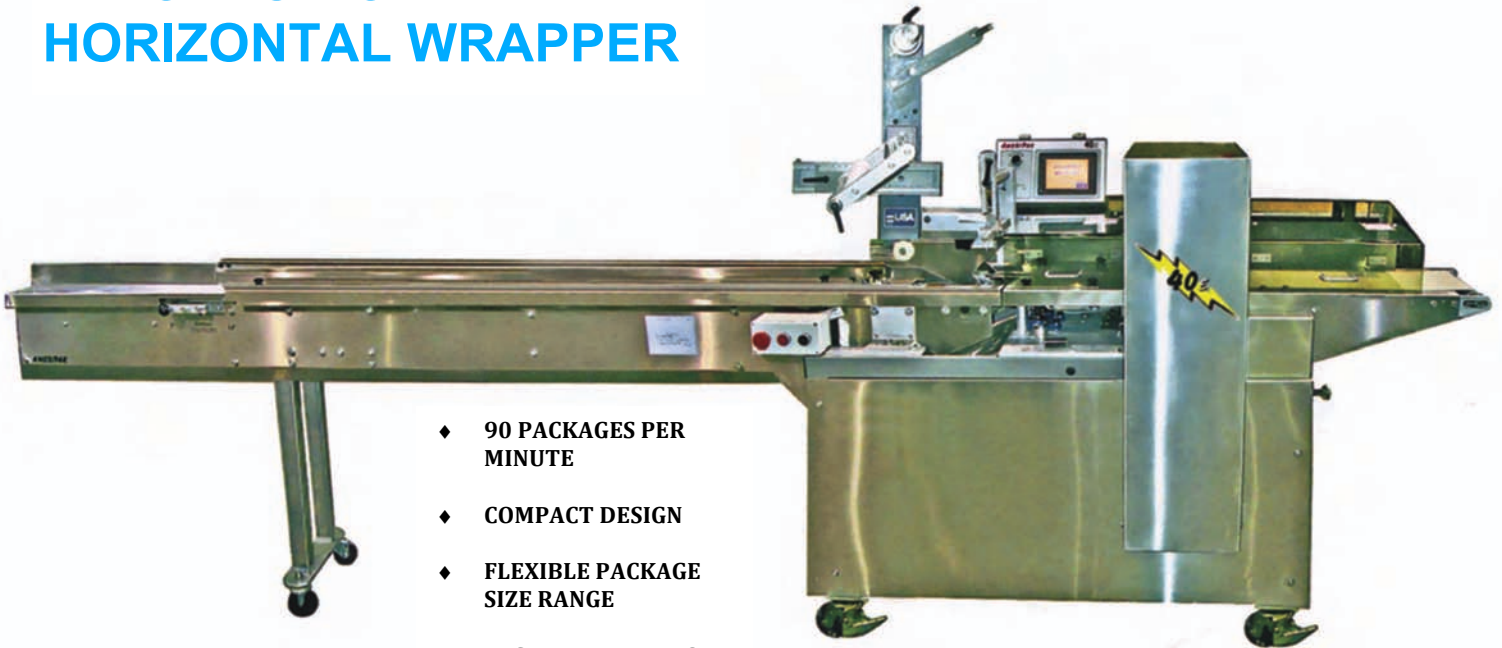


# THE PLATINUM PACKAGING GROUP

## 40e MODEL ELECTRONIC HORIZONTAL WRAPPER



- ◆ 90 PACKAGES PER MINUTE
- ◆ COMPACT DESIGN
- ◆ FLEXIBLE PACKAGE SIZE RANGE
- ◆ EASY MAINTENANCE

Platinum's **40e Model** is a three-axis electronic wrapper with the infeed conveyor, fin seal wheels, and end crimper each independently motor driven. The machine axes are synchronized via an advanced motion control processor for operating speeds of up to 90 packages per minute. The electronic design minimizes the need for mechanical systems thereby decreasing maintenance costs and increasing productivity. The compact design of the **40e Model** saves valuable floor space while offering 4.5 feet of unobstructed product feeding space.

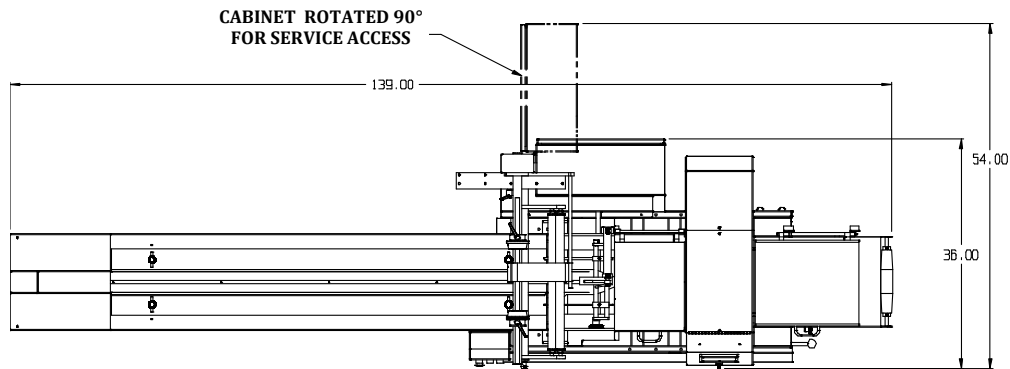
The **40e Model** is well suited for using a variety of roll stock materials, printed or clear films. It is surprisingly affordable and exceptionally versatile.

It's ideal for a wide variety of confection, bakery, snack food, pharmaceutical and general industrial applications.

The **40e** is designed for optimum ease of use and flexibility. Crimper pause is automatically determined and product phasing is quickly adjusted on-the-fly via push buttons on the HMI touch screen. All product operating parameters are saved in each of the 15 product recipe files and can be recalled instantly for fast, accurate product changeover.

The adjustable forming box is used for a variety of products and also allows for fast product size changeover.

# Platinum 40e Model Electronic Horizontal Wrapper



## SPECIFICATIONS

- **Machine Size**
  - Length – 139"
  - Width – 36"
  - Height – 62"
- **Standard Infeed Conveyor**
  - Length – 92"
  - Feed Space – 54"
  - Height Above Floor – 37"
- **Wrapping Material**
  - Maximum Parent Roll Diameter – 13"
  - Roll Width – 20"
  - 1 Parent Roll
- **Fin Seal Assembly** (Length Seal)
  - First Set – Sealing
  - Second Set - Pulling
- **End Crimper** (Cross Seal)
  - 1 – Up x 8" wide standard ■ Optional up to 10"
- **Product Discharge**
  - Conveyor, 24" long
- **Touch Screen for Machine Controls**
- **Product Flow**
  - Left to right, facing the control panel
- **Painted and Stainless Steel Finish**
- **Maximum Package Size**
  - (Cannot be tolerated simultaneously)
  - Length – 16"
  - Width – 7"
  - Height – 2 5/8" Standard
  - 3 1/2" Optional
- **Electrical**
  - 230 V, 3 PH, 60 H
- **Maximum Mechanical Speed**
  - 90 Cycles Per Minute
- **Weight**
  - 900 lbs.

## OPTIONS

- Extendable Infeed Sections
- No Product - No Bag
- No Gap - No Seal
- Expanded Spare Parts Kit
- Electric Eye Film Registration
- Stainless Steel Construction



## ADJUSTABLE FORMER

Quick size changeover for different products

Specifications subject to change without notice.