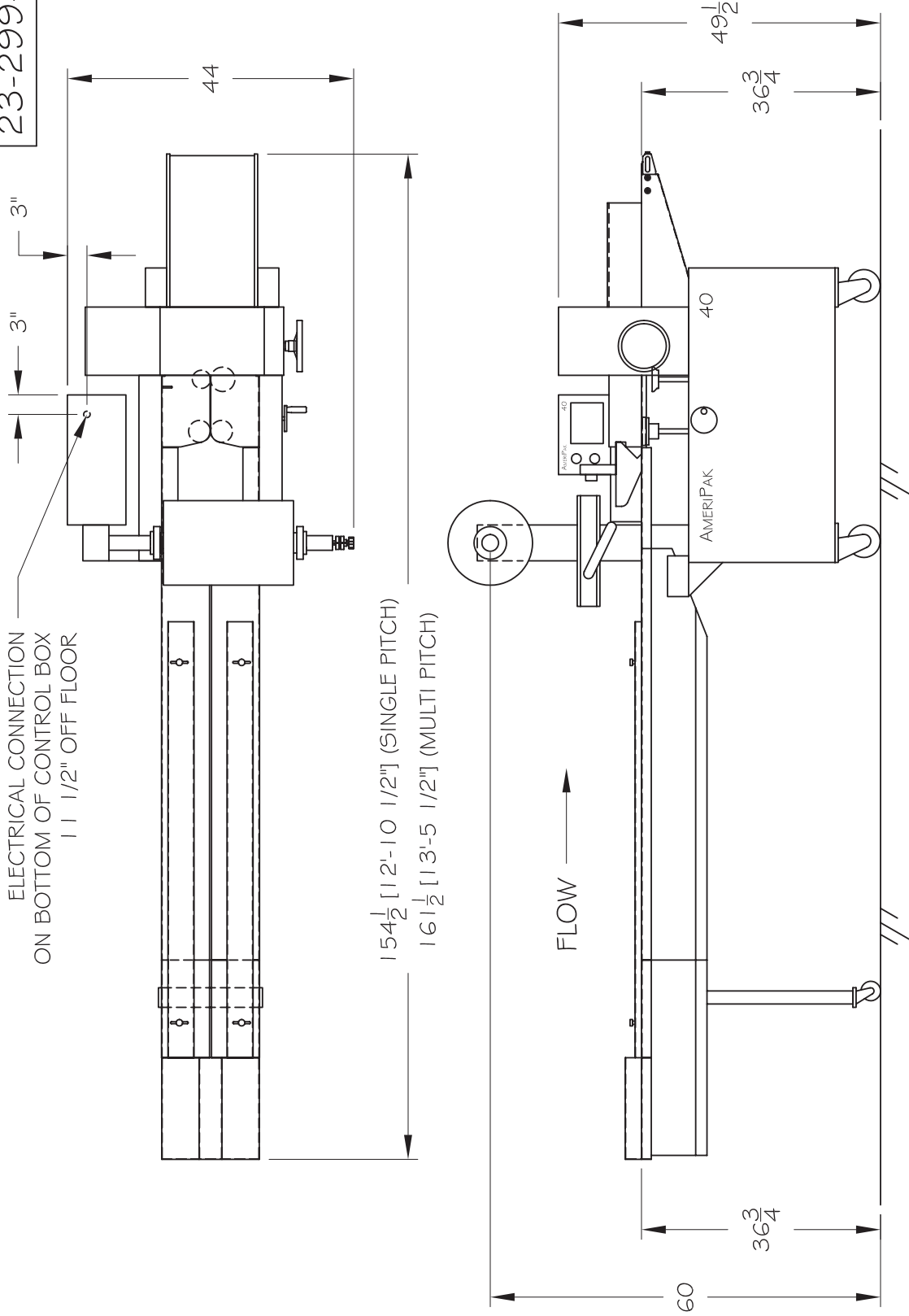


23-299-004-1

ELECTRICAL CONNECTION  
ON BOTTOM OF CONTROL BOX  
1 1/2" OFF FLOOR



TOLERANCES UNLESS  
OTHERWISE SPECIFIED  
.XX = ±.015  
.XXX =  
.XXXX

DWN. BY	DATE	SCALE	QUAN.	NAME
	11/9/05	1/2" = 1'0"		MODEL 40 FLOOR PLAN

MATERIAL

MACHINE DWG. NO.

40