

THE PLATINUM PACKAGING GROUP

VB (Wash Down) Infeed Conveyor V.B.I.C

Benefits and Features

- **SEALED STAINLESS FRAME**

Frame is tubular (not rectangular) stainless steel.
Gauge... 3/16-inch nominal (Schedule 40) Wall.
SS Seam welded and fully closed to protection from corrosion.
Fitted with food-area rated urethane SS casters, swivel mounts, locks.

- **FOOTPRINT**

101.50" Length x 39.13" Height
Raising To 61" at Drop Point
Clear Feeding Space 48.4" / 6" Cleats

- **CONVEYOR BELT**

Width Belt is 8-1/2" Width / Usable width 6".
Cleat Size Cleats 2" tall / 6" spacing / 6" Width

- **BELT RIDES WASH DOWN**

Special food-grade belt rides /removable bed glides
Food-grade UHMW plastic.
The glides key to stainless steel support posts and simply lift off for cleaning.

- **NO TOOLS NEEDED, FULLY WASHED DOWN.**

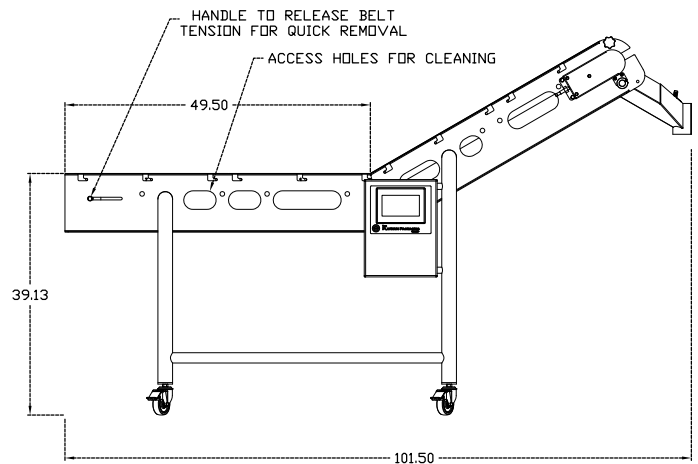
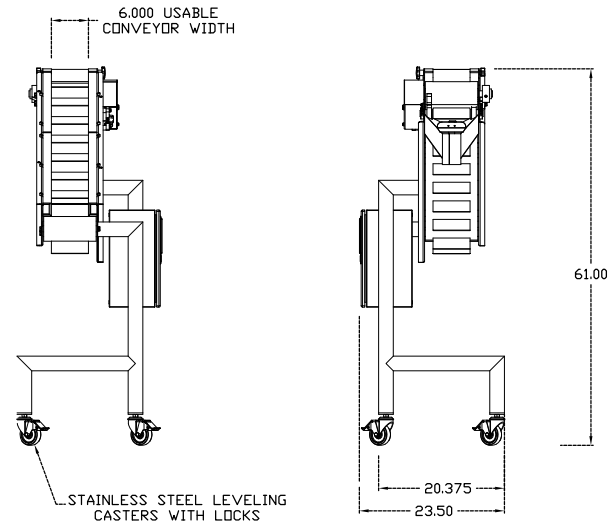
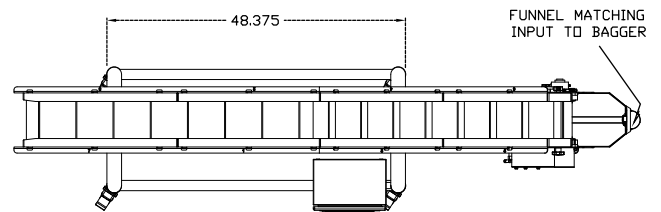
Edge guides laser-cut slots.
Removal without tools. The edge guides are numbered to match numbers engraved in the conveyor flanges for easy reassembly.
Edge guides removal in 1-minute, release the belt tensioner handle to complete the disassembly

- **GEARBOX SPECS**

The indexing conveyor uses a 400W servomotor
High-precision gear head precise index movement.

- **POWER**

208-230V AC, single phase power with a 10A minimum supply recommended.



THE
PLATINUM PACKAGING
GROUP

So. California Office:
7627 Somerset Blvd.
Paramount, CA 90723

tel: (562) 630-6700
fax: (562) 630-6716
email: info@platinumpkggroup.com