

THE PLATINUM PACKAGING GROUP

PLATSEAL PLAT Machinery PLATSERV

1050 THERMAL INKJET PRINTER

SIMPLE & RELIABLE

Fast and easy printing on primary and secondary packages

FLEXIBLE PRINTHEAD OPTIONS

print codes from 12.7 mm up to 50.8 mm high



LOW MAINTENANCE

snap-in and out cartridges for no-hassle reliable printing



HIGH SPEED PRINTING

of serialized barcodes for product promotion and traceability

EASY TO USE

177.8 mm touch screen with intuitive WYSIWYG interface for simple set-up

SCANNABLE

High resolution codes printed at high speeds

HIGH QUALITY

text, logos and high-density graphics

100% READABLE

1D and 2D barcodes at high production rates



PRECISION PRINT CONTROL

variable dpi from 1 to 600 dots per inch for optimized barcode printing

FLEXIBLE & INDUSTRIAL

Suitable for dusty, humid and corrosive environments

QUICK SETUP

portable design for efficient line changes

SECURE OPERATION

three levels of menu-driven accessibility

MAXIMIZE UPTIME

reduce TCO with 680 ml or 1360 ml bulk ink delivery module - aqueous inks only



MINIMIZE INK CONSUMPTION with draft mode feature and variable print density

CENTRALLY MANAGE CODES create images and network printers with optional CoLOS® software

SPECIFICATIONS - THERMAL INKJET - 1050

LINE SPEED/RESOLUTION

- Maximum line speed 201 m/min (660 ft/min)
- Maximum resolution 600 x 600 dp

PRINT FEATURES

- Static text, user inserts, date/time stamps, shift codes, counters, bitmaps, conditional bitmaps, and variable data
- Windows True Type fonts
- Barcodes 1D: Codabar, Code 128, Code 39, Code 93, EAN8, EAN13, EAN128, Interleaved 2 of 5, Pharmacode, Plessey, UPC-A, UPC-E
- Barcodes 2D: Aztec, Data Matrix, Maxi Code, Micro QR Code, PDF417, QR Code, QR Code 2005
Additional barcodes available upon request

PRINTHEADS & MOUNTING CONFIGURATIONS

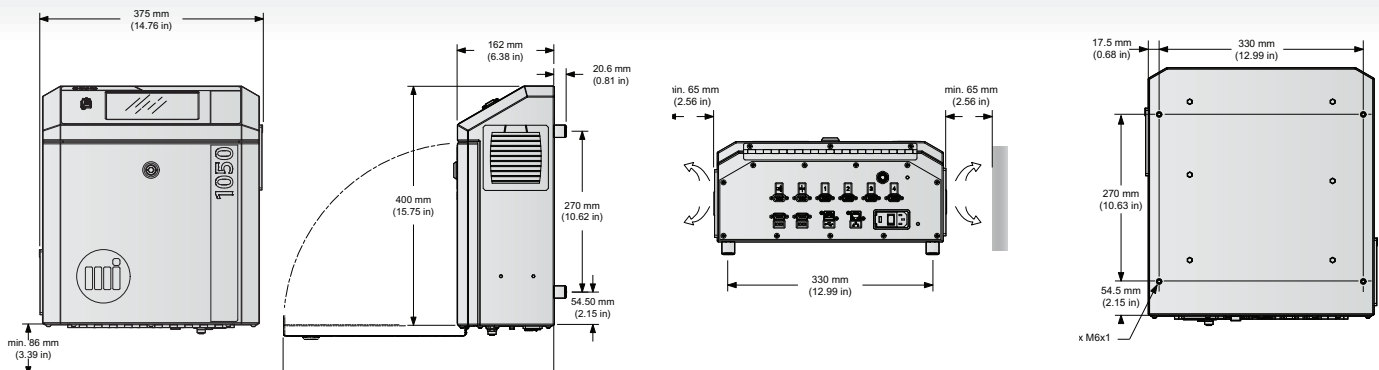
- There are several printhead and mounting options available. Please contact a Markem-Imaje Applications Engineer for further assistance in selecting the appropriate components.

CONTROLLER

- 177.8 mm (7") touch screen interface
- WYSIWYG template and print preview
- 3 levels of menu-driven security
- Workflow manager allows administrator to customize print process
- Industrial solid-state electronics with no moving parts
- 1 x Ethernet Ports, 2 x USB Ports, 2 x RS-232
- Industrial stainless steel enclosure
- Supports up to (4) 12.7 mm (1/2") heads, (2) 25.4 mm (1") heads or (1) 50.8 mm (2") heads
- Encoder and sensor ports
- 110-240 VAC, 50/60 Hz, 1.3A
- Sensor Pin Out: P3-Hi (PnP), P6-GND, P7-Low (NPN), P8-12VDC
- Bulk ink option available
- Operating temperature: 10 to 40° C
- Humidity: 0-80% RH (non-condensing)

SOFTWARE

- CoLOS® Enterprise



We reserve the right to amend the design and/or specifications of our products without notice.

9, rue Gaspard Monge
B.P. 110
26501 Bourg-lès-Valence Cedex
France
Tel.: +33 (0) 4 75 75 55 00
Fax: +33 (0) 4 75 82 98 10

150 Congress Street
Keene, NH 03431
United States of America
Tel.: +1 800-258-5356
Fax: +1 603-357-1835

THE
PLATINUM PACKAGING
GROUP

TEL: (562) 630-6700

FOR MORE INFORMATION:
www.platinumpkggroup.com

